

STAINLESS STEEL WORKTABLES FF2-SERIES— FULLY ENCLOSED WORKTABLE W/ BACKSPLASH & UNDERSHELF

PROJECT#: _____

ITEM# _____

MODEL# _____

SPECIFICATIONS:

ECONOMY— EFF2-Series: 400 Series Stainless Top, 400 Series Stainless Body & 400 Series Stainless Undershelf

TOP: 16 GA.
400 Series Stainless

SHELF: 18 GA.
400 Series Stainless

BODY & DOORS: 20 GA.
400 Series Stainless

LEGS: 1 1/2" Square
Tubular Stainless Steel

STANDARD— SFF2-Series: 300 Series Stainless Top, 300 Series Stainless Body & 300 Series Stainless Undershelf

TOP: 16 GA.
300 Series Stainless

SHELF: 18 GA.
300 Series Stainless

BODY & DOORS: 20 GA.
300 Series Stainless

LEGS: 1 1/2" Square
Tubular Stainless Steel

HEAVY DUTY— HFF2-Series: 300 Series Stainless Top, 300 Series Stainless Body & 300 Series Stainless Undershelf

TOP: 14 GA.
300 Series Stainless

SHELF: 16 GA.
300 Series Stainless

BODY & DOORS: 18 GA.
300 Series Stainless

LEGS: 1 1/2" Square
Tubular Stainless Steel

CONSTRUCTION:

- ◆ All Table Connection Points Fully Welded for Maximum Rigidity and Long Life
- ◆ S/S Adjustable Bullet Feet
- ◆ Sound Deadening Between Top and Reinforcing Channel
- ◆ Stainless Steel Sliding Doors Mounted to Glides with Rollers for Easy Opening and Closing
- ◆ Offsets on Body Ends for Flush Fit
- ◆ S/S Undershelf Welded to Legs
- ◆ Table is Polished to #3 Finish
- ◆ Working Height 35" to 36 1/4"

○ Amtekco Industries - Columbus, OH —Phone: (800) 336-4677

○ N. Wasserstrom & Sons - Columbus, OH —Phone: (800) 444-4697

○ DCS IV - Peoria, AZ—Phone: (800) 592-3274

○ GEN III - Fountain Inn, SC—Phone: (800)673-3339

○ GKS - Garland, TX—Phone (972) 485-4579

SPECIFICATIONS SUBJECT TO CHANGE WITHOUT NOTICE 01/09

ECONOMY - EFF2 - SERIES						
24" WIDE	QTY	30" WIDE	QTY	36" WIDE	QTY	LENGTH (INCHES)
EFF2-2424		EFF2-3024		EFF2-3624		24
EFF2-2430		EFF2-3030		EFF2-3630		30
EFF2-2436		EFF2-3036		EFF2-3636		36
EFF2-2442		EFF2-3042		EFF2-3642		42
EFF2-2448		EFF2-3048		EFF2-3648		48
EFF2-2454		EFF2-3054		EFF2-3654		54
EFF2-2460		EFF2-3060		EFF2-3660		60
EFF2-2466		EFF2-3066		EFF2-3666		66
EFF2-2472		EFF2-3072		EFF2-3672		72
EFF2-2478		EFF2-3078		EFF2-3678		78
EFF2-2484		EFF2-3084		EFF2-3684		84
EFF2-2490		EFF2-3090		EFF2-3690		90
EFF2-2496		EFF2-3096		EFF2-3696		96
EFF2-24102		EFF2-30102		EFF2-36102		102
EFF2-24108		EFF2-30108		EFF2-36108		108
EFF2-24114		EFF2-30114		EFF2-36114		114
EFF2-24120		EFF2-30120		EFF2-36120		120

STANDARD - SFF2 - SERIES						
24" WIDE	QTY	30" WIDE	QTY	36" WIDE	QTY	LENGTH (INCHES)
SFF2-2424		SFF2-3024		SFF2-3624		24
SFF2-2430		SFF2-3030		SFF2-3630		30
SFF2-2436		SFF2-3036		SFF2-3636		36
SFF2-2442		SFF2-3042		SFF2-3642		42
SFF2-2448		SFF2-3048		SFF2-3648		48
SFF2-2454		SFF2-3054		SFF2-3654		54
SFF2-2460		SFF2-3060		SFF2-3660		60
SFF2-2466		SFF2-3066		SFF2-3666		66
SFF2-2472		SFF2-3072		SFF2-3672		72
SFF2-2478		SFF2-3078		SFF2-3678		78
SFF2-2484		SFF2-3084		SFF2-3684		84
SFF2-2490		SFF2-3090		SFF2-3690		90
SFF2-2496		SFF2-3096		SFF2-3696		96
SFF2-24102		SFF2-30102		SFF2-36102		102
SFF2-24108		SFF2-30108		SFF2-36108		108
SFF2-24114		SFF2-30114		SFF2-36114		114
SFF2-24120		SFF2-30120		SFF2-36120		120

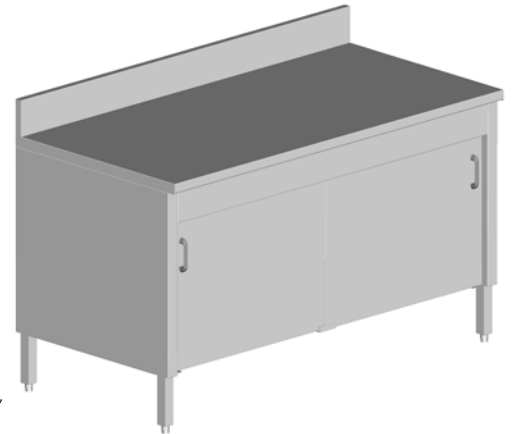
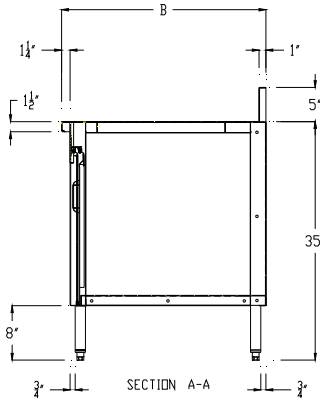
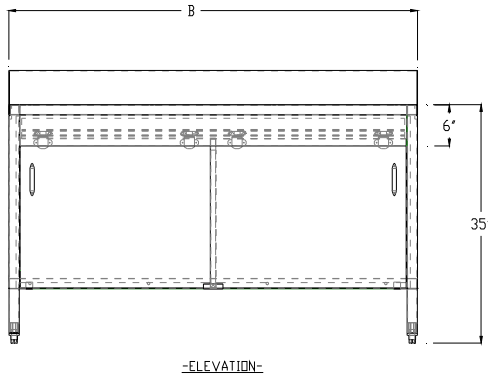
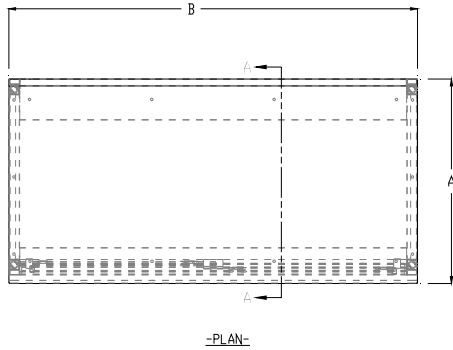
HEAVY DUTY - HFF2 - SERIES						
24" WIDE	QTY	30" WIDE	QTY	36" WIDE	QTY	LENGTH (INCHES)
HFF2-2424		HFF2-3024		HFF2-3624		24
HFF2-2430		HFF2-3030		HFF2-3630		30
HFF2-2436		HFF2-3036		HFF2-3636		36
HFF2-2442		HFF2-3042		HFF2-3642		42
HFF2-2448		HFF2-3048		HFF2-3648		48
HFF2-2454		HFF2-3054		HFF2-3654		54
HFF2-2460		HFF2-3060		HFF2-3660		60
HFF2-2466		HFF2-3066		HFF2-3666		66
HFF2-2472		HFF2-3072		HFF2-3672		72
HFF2-2478		HFF2-3078		HFF2-3678		78
HFF2-2484		HFF2-3084		HFF2-3684		84
HFF2-2490		HFF2-3090		HFF2-3690		90
HFF2-2496		HFF2-3096		HFF2-3696		96
HFF2-24102		HFF2-30102		HFF2-36102		102
HFF2-24108		HFF2-30108		HFF2-36108		108
HFF2-24114		HFF2-30114		HFF2-36114		114
HFF2-24120		HFF2-30120		HFF2-36120		120

STAINLESS STEEL WORKTABLES FF2-SERIES — FULLY ENCLOSED WORKTABLE W/ BACKSPLASH & UNDERSHELF

PROJECT#: _____

ITEM# _____

MODEL# _____



- ◆ 35" Working Height is with Adj. Bullet Feet in Shortest Position
- ◆ Tables At or Above 78" Will Require (3) Sets of Legs.

A WIDTH	B LENGTH	EFF2 - SERIES 16 GA. 400 SERIES S/S TOP & 18 GA. 400 SERIES S/S UNDERSHELF	SFF2 - SERIES 16 GA. 300 SERIES S/S TOP & 18 GA. 300 SERIES S/S UNDERSHELF	HFF2 - SERIES 14 GA. 300 SERIES S/S TOP & 16 GA. 300 SERIES S/S UNDERSHELF	#Of Legs	Product Weight (lbs)
24" WIDE						
24	24	EFF2-2424	SFF2-2424	HFF2-2424	4	96
24	30	EFF2-2430	SFF2-2430	HFF2-2430	4	118
24	36	EFF2-2436	SFF2-2436	HFF2-2436	4	139
24	48	EFF2-2448	SFF2-2448	HFF2-2448	4	166
24	60	EFF2-2460	SFF2-2460	HFF2-2460	4	194
24	72	EFF2-2472	SFF2-2472	HFF2-2472	4	222
24	84	EFF2-2484	SFF2-2484	HFF2-2484	6	249
24	96	EFF2-2496	SFF2-2496	HFF2-2496	6	277
24	108	EFF2-24108	SFF2-24108	HFF2-24108	6	304
24	120	EFF2-24120	SFF2-24120	HFF2-24120	6	332
30" WIDE						
30	24	EFF2-3024	SFF2-3024	HFF2-3024	4	89
30	30	EFF2-3030	SFF2-3030	HFF2-3030	4	113
30	36	EFF2-3036	SFF2-3036	HFF2-3036	4	136
30	48	EFF2-3048	SFF2-3048	HFF2-3048	4	165
30	60	EFF2-3060	SFF2-3060	HFF2-3060	4	195
30	72	EFF2-3072	SFF2-3072	HFF2-3072	4	225
30	84	EFF2-3084	SFF2-3084	HFF2-3084	6	254
30	96	EFF2-3096	SFF2-3096	HFF2-3096	6	284
30	108	EFF2-30108	SFF2-30108	HFF2-30108	6	313
30	120	EFF2-30120	SFF2-30120	HFF2-30120	6	343
36" WIDE						
36	24	EFF2-3624	SFF2-3624	HFF2-3624	4	114
36	30	EFF2-3630	SFF2-3630	HFF2-3630	4	141
36	36	EFF2-3636	SFF2-3636	HFF2-3636	4	167
36	48	EFF2-3648	SFF2-3648	HFF2-3648	4	199
36	60	EFF2-3660	SFF2-3660	HFF2-3660	4	232
36	72	EFF2-3672	SFF2-3672	HFF2-3672	4	265
36	84	EFF2-3684	SFF2-3684	HFF2-3684	6	297
36	96	EFF2-3696	SFF2-3696	HFF2-3696	6	330
36	108	EFF2-36108	SFF2-36108	HFF2-36108	6	362
36	120	EFF2-36120	SFF2-36120	HFF2-36120	6	395